



TABLE OF CONTENTS

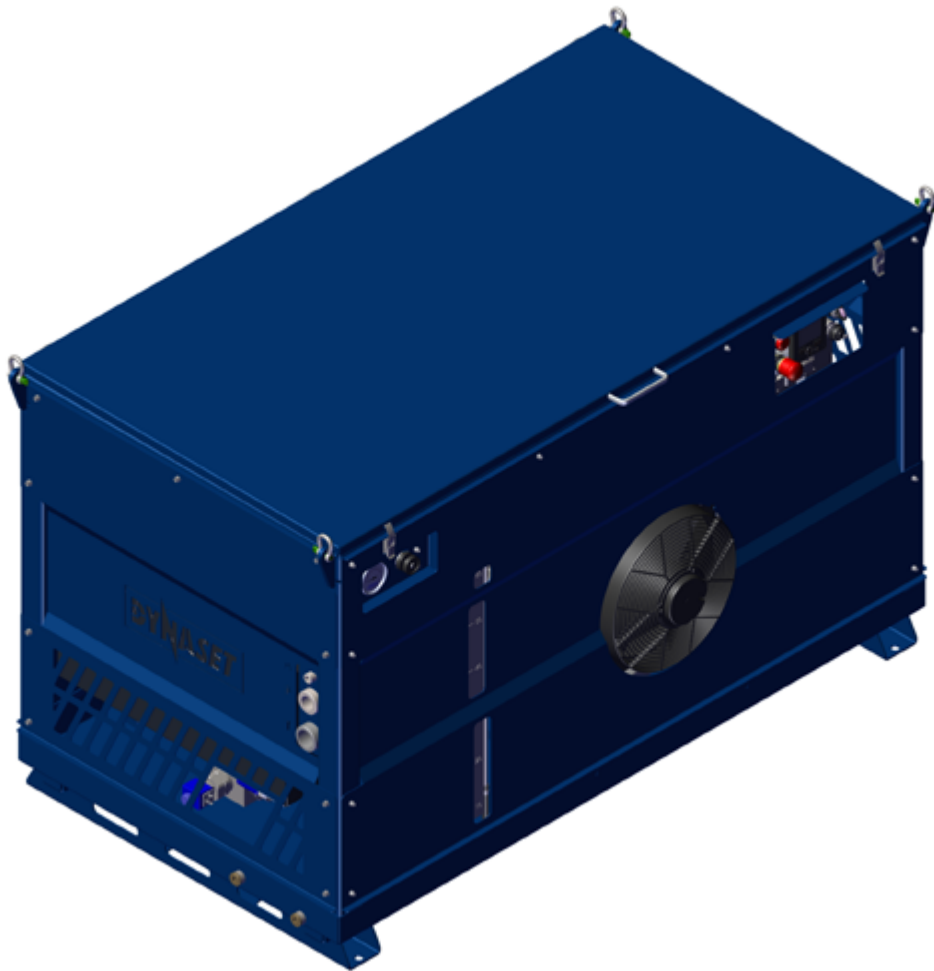
Hydraulic Power Units

HPU Diesel

HPU Electric

DATA SHEETS
HPU HYDRAULIC POWER UNITS





rev 1.0

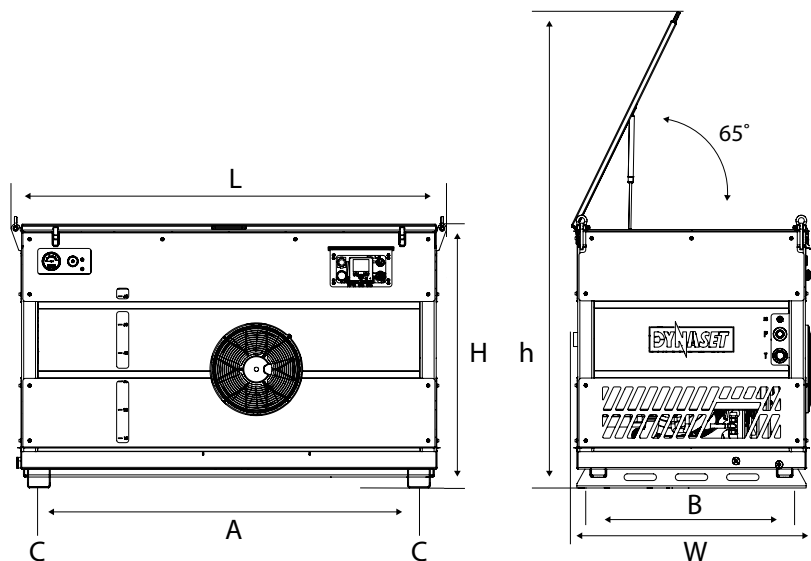
DATA SHEET

HPU-D HYDRAULIC POWER UNIT



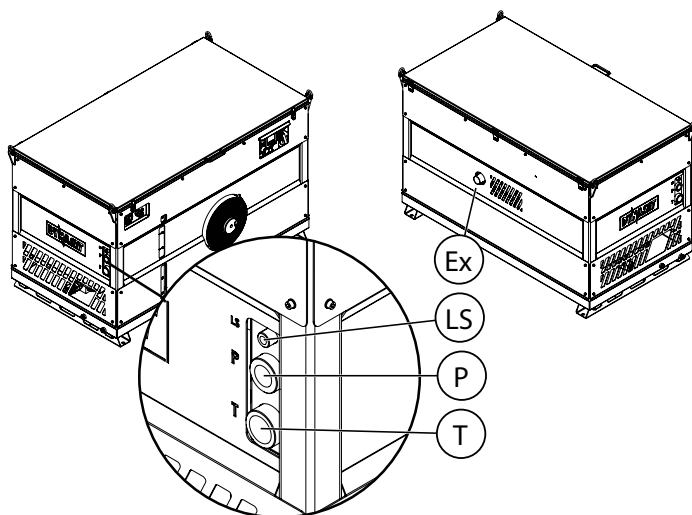
HPU D 55 - 150
HPU D 55 - 210

DIMENSIONS



MODEL	DIMENSIONS, mm (in)							WEIGHT
	L	W	H	h	A	B	C	kg (lbs)
HPU D 55 - 150	1621 (63.8)	906 (35.7)	982 (38.7)	1765 (69.5)	1415 (55.7)	820 (32.3)	Ø17 (0.67)	650 (1430)
HPU D 55 - 210	1621 (63.8)	906 (35.7)	982 (38.7)	1765 (69.5)	1415 (55.7)	820 (32.3)	Ø17 (0.67)	650 (1430)

HYDRAULIC PORTS



MODEL	PRESSURE LINE	RETURN LINE	LS LINE	EXHAUST
	P	T	LS	Ex
HPU D 55 - 150	G 1" - BSPP	G 1 1/4" - BSPP	G 1/4" - BSPP	2"
HPU D 55 - 210	G 1" - BSPP	G 1 1/4" - BSPP	G 1/4" - BSPP	2"

TECHNICAL SPECIFICATIONS

		HPU D 55 - 150	HPU D 55 - 210
HYDRAULIC POWER OUTPUT CHARACTERISTICS			
Output Pressure max.	bar (psi)	350 (5100)	350 (5100)
Output flow max @ 210 bar	l/min (gpm)	150 (39.6)	210 (55.4)
SPECIFICATIONS			
Diesel Engine (EU Stage IIIb/Tier4 Final)	kW	55	55
Fuel tank	l (gal)	60 (15.8)	60 (15.8)
Hydraulic oil tank	l (gal)	60 (15.8)	60 (15.8)
HYDRAULIC FLUID REQUIREMENTS			
Viscosity	cSt	10-200 / optimum 25-35	
Temperature	°C (°F)	max. 70 (158)*	
Filter ratio, recommendation	µm	25≥	
Cleanliness level	ISO 4406	19/17/14	

Gallons are U.S. liquid gallons

* Depending on the hydraulic fluid.

HPU D is equipped with variable displacement hydraulic pump that enables stepless hydraulic pressure adjustment.



DATA SHEET

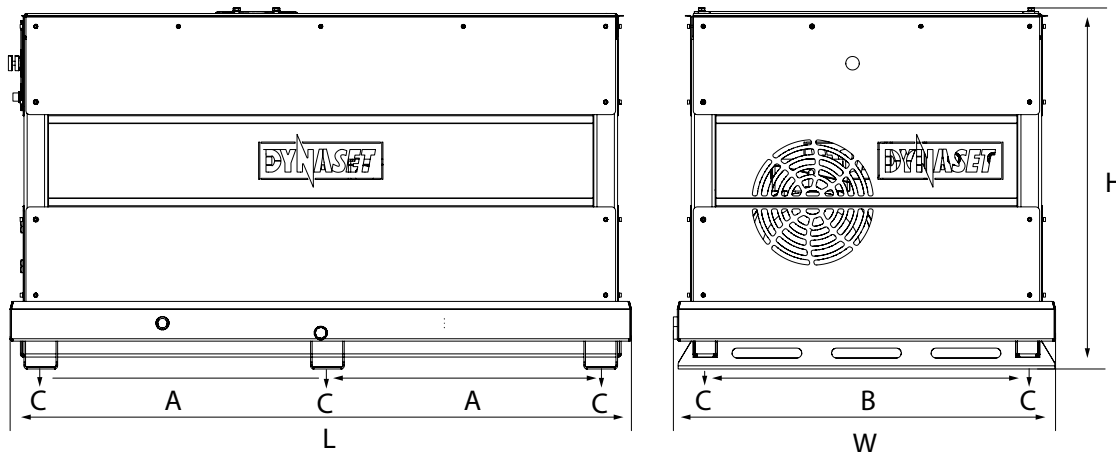
HPU-E HYDRAULIC POWER UNIT



rev 1.0

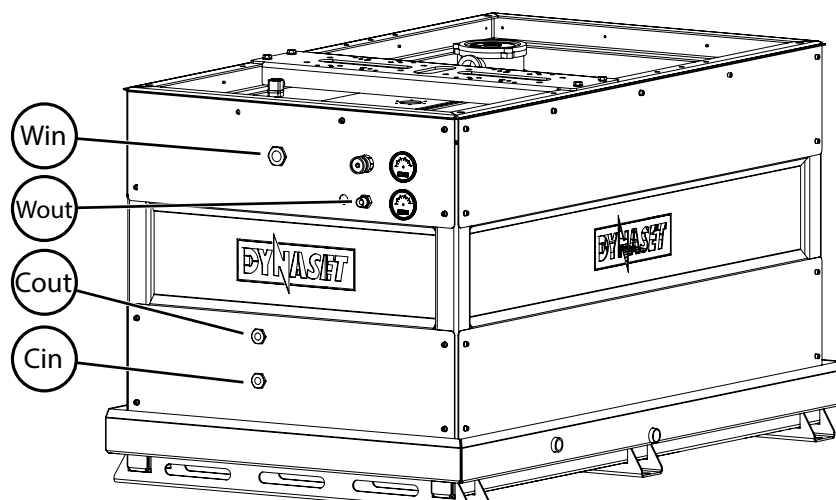
HPUE-210/40	HPUE-240/100
HPUE-200/63	HPUE-280/100
HPUE-250/63	HPUE-200/140

DIMENSIONS



MODEL	DIMENSIONS, mm (in)					
	L	W	H	A	B	C
ALL MODELS	1570 (61.8)	960 (37.8)	898 (35.4)	710 (27.8)	916 (36.1)	Ø17 (0.67)

HYDRAULIC PORTS



MODEL	WATER LINE IN	WATER LINE OUT	COOLING WATER IN* ¹	COOLING WATER OUT*
	W in	W out	C in	C out
ALL MODELS	G 3/4" - BSP	G 1/2" - BSP	G 1/2" - BSP	G 1/2" - BSP

*With water cooled models

¹ max. 5 bar, 4 -30 °C

TECHNICAL SPECIFICATIONS

		HPUE-210/40	HPUE-200/63	HPUE-250/63	HPUE-240/100	HPUE-280/100	HPUE-200/140
HYDRAULIC POWER OUTPUT CHARACTERISTICS							
Output Power	kW	15	22	30	45	55	55
Output Pressure max.	bar (psi)	210 (3000)	200 (2900)	250 (3600)	240 (3500)	280 (4000)	200 (2900)
Output flow max @ 210 bar	l/min (gpm)	40 (10.5)	63 (16.6)	63 (16.6)	100 (26.4)	100 (26.4)	140 (36.9)
Hydraulic pump	cc	28	45	45	71	71	100
ELECTRIC SPECIFICATIONS							
Electricity		400/690 – 50Hz					
HYDRAULIC FLUID REQUIREMENTS							
Viscosity	cSt	10-200 / optimum 25-35					
Temperature	°C (°F)	max. 70 (158)*					
Filter ratio, recommendation	µm	25≥					
Cleanliness level	ISO 4406	19/17/14					

Gallons are U.S. liquid gallons

* Depending on the hydraulic fluid.

HPUE is equipped with variable displacement hydraulic pump that enables stepless hydraulic pressure adjustment. Also available with either water or air cooling.



Menotie 3
FI-33470 Ylöjärvi, Finland
tel: +358 3 3488 200
info@dynaset.com



ELECTRICITY

HG Hydraulic Generator
HGV POWER BOX Variable Hydraulic Generator System
HGV Variable Hydraulic Generator System
HWG Hydraulic Welding Generator
HGG Hydraulic Ground Power Generator



HIGH PRESSURE WATER

HPW Hydraulic High Pressure Water Pump
HPW Hydraulic Power Washer
KPL High Pressure Street Washing Unit
HPW-DUST High Pressure Dust Suppression System
PPL High Pressure Pipe Cleaning Unit
HPW-FIRE High Pressure Firefighting System
FP Fire Fighting Piercing Kit
HDF Hydraulic Drilling Fluid Pump
JPL High Pressure Bin Washing System
HSP Hydraulic Submersible Pump



COMPRESSED AIR

HK Hydraulic Piston Compressor
HKL Hydraulic Rotary Vane Compressor
HKR Hydraulic Screw Compressor



MAGNET POWER

HMG PRO Hydraulic Magnet Generator
MAG Lift Magnet
HMAG PRO Hydraulic Magnet



VIBRATION

HVB Hydraulic Vibra
HVD Hydraulic Directional Vibra
HRC Hydraulic Reversal Cylinder



POWER BOOSTING

HPI Hydraulic Pressure Intensifier
HPI-C Hydraulic Pressure Intensifier for Cylinder



KNOW-HOW

Hydraulic Power Take-off (PTO)
Hydraulic Power Unit Technology
De-Icing Technology
Installation Valves
HHK Hydraulic Grinder
HV/HVY Hydraulic Winch / Winch Unit

www.dynaset.com

