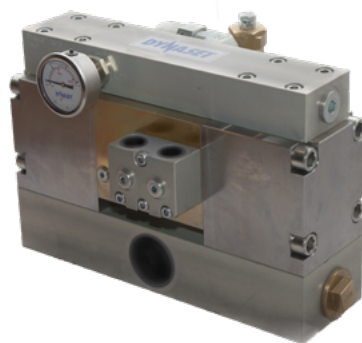
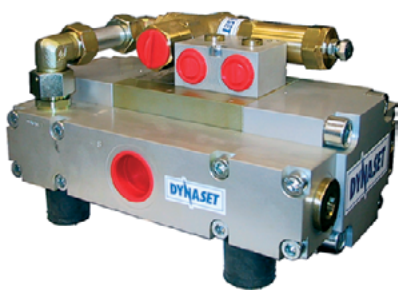


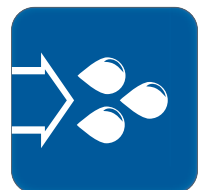
# DYNASET

POWERED BY HYDRAULICS



## DATA SHEET

### HIGH PRESSURE WATER PUMPS



rev 1.2

HPW 90 /150-85

HPW 130 /180-140

HPW 180 /90-115

HPW 200 /30-45

HPW 220 /50-70

HPW 250 /30-40

HPW 300 /300-350

HPW 320 /75-125

HPW 360 /220-360

HPW 420 /20-50

HPW 460 /50-115

HPW 520 /30-85

HPW 800 /30-140

HPW 1000 /30-140

HPW 1200 /100-440

HPW 1600 /15-140

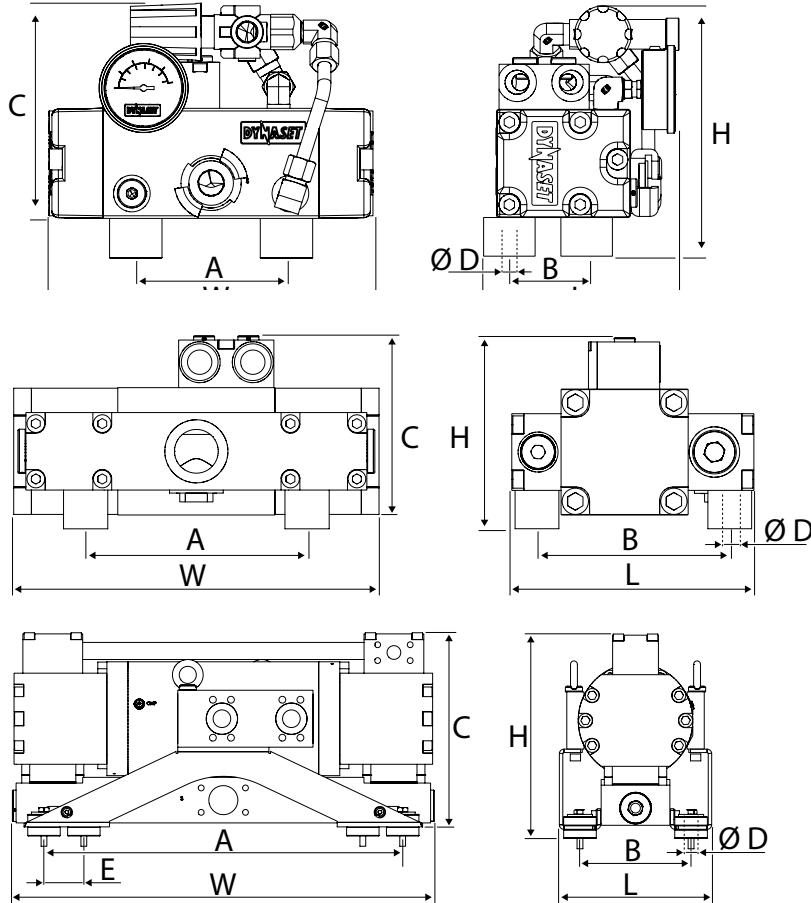
## HIGH PRESSURE WATER PUMPS

DYNASET HPW high pressure water pump transforms the hydraulic power of a work machine effectively into high pressure water power. Because of high pressure, the pump gives great water power with a small amount of water. To ease up the use of the pump; pump is self-priming, requiring no feed pressure.

Small size, light weight, durable construction and low water consumption make the HPW pump very cost effective. The patented design of the pump is completely free of rotating parts. Compared to other pumps of the same power, the HPW pump is only fraction in size. It can be installed practically in any space in the work machine. The power range of pumps available covers all needs.

The HPW pump is an excellent tool in daily cleaning work and other works, where reliable high pressure water is needed. It is also powerful enough for industrial applications, dust suppression, fire fighting, hydro scaling and other demanding applications.

### DIMENSIONS



MODEL	DIMENSIONS, mm (in)								WEIGHT kg (lbs)
	L	W	H	A	B	C	D	E	
<b>HPW 90 /150-85-PA</b>	175 (6.9)	345 (13.6)	250 (9.8)	252 (9.9)	95 (3.7)	250 (9.8)	M10	-	31 (68.3)
<b>HPW 130 /180-140-PA</b>	175 (6.9)	400 (15.7)	270 (10.6)	250 (9.8)	95 (3.7)	270 (10.6)	M10	-	35 (77.2)
<b>HPW 180 /90-115-PA</b>	240 (9.4)	330 (13.0)	175 (6.9)	200 (7.9)	175 (6.9)	160 (6.3)	M10	-	28 (61.7)
<b>HPW 200 /30-45-ST</b>	160 (6.3)	245 (9.6)	165 (6.5)	115 (4.5)	60 (2.4)	135 (5.3)	M8	-	8 (17.6)
<b>HPW 220 /50-70-PA</b>	170 (6.7)	280 (11.0)	185 (7.2)	126 (4.7)	106 (4.2)	153 (6.0)	M8	-	18 (39.6)
<b>HPW 300 /300-350*</b>	270 (10.6)	745 (29.3)	360 (14.2)	630 (24.8)	194 (7.5)	340 (13.4)	16 (0.6)	70 (2.8)	170 (374.7)
<b>HPW 320 /75-125 *</b>	250 (9.8)	344 (13.5)	282 (11.1)	155 (6.1)	155 (6.1)	220 (8.7)	M8	-	32 (70.4)
<b>HPW 360 /220-360*</b>	270 (10.6)	745 (29.3)	360 (14.2)	630 (24.8)	194 (7.5)	340 (13.4)	16 (0.6)	70 (2.8)	170 (374.7)
<b>HPW 420 /20-50</b>	160 (6.3)	245 (9.6)	155 (6.1)	115 (4.5)	60 (2.4)	125 (4.9)	M8	-	16 (35.2)
<b>HPW 460 /50-115</b>	195 (7.7)	314 (12.2)	197 (7.8)	155 (6.1)	155 (6.1)	167 (6.6)	M8	-	26 (57.3)
<b>HPW 520 /30-85</b>	140 (5.5)	290 (11.4)	175 (6.9)	115 (4.5)	80 (3.1)	145 (5.7)	M8	-	22 (48.5)
<b>HPW 800 /30-140*</b>	195 (7.6)	340 (13.3)	195 (7.6)	110 (4.3)	65 (2.6)	165 (6.5)	M8	-	39 (85.9)
<b>HPW 1000 /30-140*</b>	168 (6.6)	379 (15.6)	194 (7.6)	110 (4.3)	64 (2.5)	164 (6.5)	M8	-	39 (85.9)
<b>HPW 1200 /100-440*</b>	265 (10.4)	915 (36)	350 (13.8)	630 (24.8)	194 (7.5)	335 (13.2)	16 (0.6)	70 (2.8)	177 (390.2)
<b>HPW 1600 /15-140*</b>	195 (7.6)	405 (15.9)	160 (6.3)	155 (6.1)	155 (6.1)	120 (4.7)	M10	-	36 (79.3)

\* Without Unloader valve

### PARAMETERS

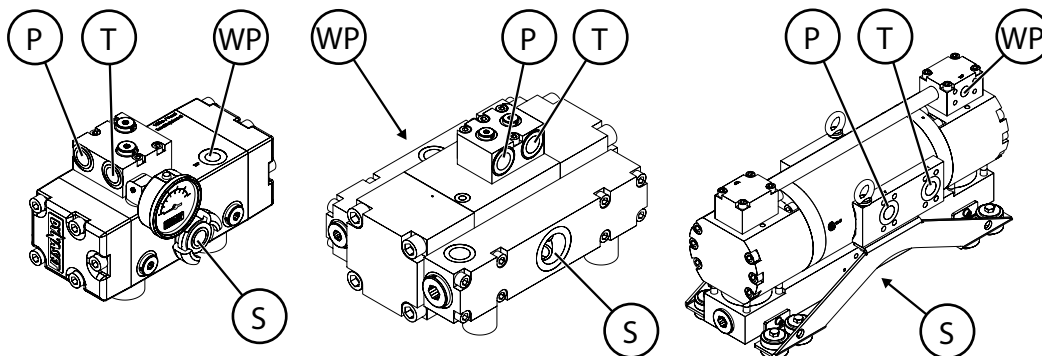
		HPW 200 /30-45	HPW 420 /20-50	HPW 220 /50-70	HPW 90 /150-85	HPW 520 /30-85	HPW 180 /90-115	HPW 300 /120-150	
<b>DISCHARGE CHARACTERISTICS</b>									
Pumping fluid flow max.	l/min (gpm)	30 (7.9)	20 (5.3)	50 (13.2)	150 (39.6)	30 (7.9)	90 (23.8)	120 (31.8)	
Pressure max.	bar (psi)	200 (2900)	420 (6100)	220 (3200)	90 (1300)	520 (7500)	180 (2600)	300 (4300)	
Power	kW	10	14	18,5	22,5	26	27	30	
Water/hydraulic pressure ratio		1,18	2,12	1,26	0,52	2,62	1,12	1,12	
<b>HYDRAULIC POWER REQUIREMENTS</b>									
Oil flow max.	l/min (gpm)	40 (10.6)	50 (13.2)	70 (18.5)	85 (22.5)	85 (22.5)	115 (30.4)	150 (39.6)	
Operating pressure	$\Delta p$ , bar (psi)	210 (3000)	210 (3000)	210 (3000)	210 (3000)	210 (3000)	210 (3000)	210 (3000)	
Pressure max.	bar (psi)	210 (3100)	220 (3200)	210 (3100)	210 (3100)	250 (3600)	210 (3100)	210 (3100)	
<b>PUMPING FLUID REQUIREMENTS</b>									
Suction head max	m (ft)	3 (9.8)							
Feed pressure	bar (psi)	-0,3...16 (-43.5...232)							
Water filter	mesh	80 or better							
<b>HYDRAULIC FLUID REQUIREMENTS</b>									
Viscosity	cSt	10-200 / optimum 25-35							
Temperature *	°C (°F)	max. 70 (158)							
Filter ratio	$\mu m$	25 or better							
Cooling capacity requirement	kW	2	2	3	4	4	6	6	

Gallons are U.S. liquid gallons

\* Depending on hydraulic fluid.

PW 460 50-115	HPW 320 /75-125	HPW 130 /180-140	HPW 800 /30-140	HPW 1600 /15-140	HPW 1000 /30-140	HPW 360 /220-360	HPW 300 /300-350	HPW 1200 /100-440
50 (13.2)	75 (19.8)	180 (47.5)	30 (7.9)	15 (4.0)	30 (7.9)	220 (58.0)	300 (79.2)	100 (26.4)
460 (6700)	320 (4600)	130 (1900)	800 (11603)	1600 (23200)	1000 (14500)	360 (5200)	300 (4300)	1200 (17400)
38	40	39	40	40	50	132	150	200
2,03	1,5	0,68	4	7,87	4	1,5	1,06	4
115 (30.4)	125 (33.0)	140 (37.0)	140 (37.0)	140 (37.0)	140 (37.0)	360 (95.0)	350 (92.5)	440 (116.0)
240 (3500)	240 (3500)	240 (3500)	210 (3100)	230 (3300)	260 (3800)	250 (3600)	350 (5100)	300 (4300)
250 (3600)	250 (3600)	250 (3600)	210 (3100)	230 (3300)	280 (4100)	250 (3600)	350 (5100)	350 (5100)
3 (9.8)			2 (6.5)	-	-	3 (9.8)		-
-0,3...16 (-43.5...232)			-0,2...16 (-29...232)	1...16 (14.5...232)	5...20 (72.5...290)	-0,3...16 (-4...230)	-0,3...16 (-43.5...232)	1...16 (14.5...232)
80 or better			625 or better			80 or better		625 or better
10-200 / optimum 25-35								
max. 70 (158)								
25 or better								
5	6	6	6	6	8	25	30	35

### CONNECTION PORTS



MODEL	PRESSURE LINE	RETURN LINE	SERVICE LINE	WATER OUTPUT	WATER INPUT
	P	T	CMP	WP	S
HPW 90 /150-85	BSP 3/4"	BSP 3/4"	BSP 1/8"	BSP 1"	BSP 2"
HPW 130 /180-140	BSP 3/4"	BSP 3/4"	BSP 1/8"	BSP 1"	BSP 2"
HPW 180 /90-115	BSP 3/4"	BSP 3/4"	BSP 1/8"	BSP 3/4"	BSP 1 1/4"
HPW 200 /30-45	BSP 1/2"	BSP 1/2"	-	BSP 3/8"	BSP 3/4"
HPW 220 /50-70	BSP 3/4"	BSP 3/4"	-	BSP 1/2"	BSP 1"
HPW 300 /300-350	SAE 6000 1 1/4"	SAE 6000 1 1/4"	BSP 1/8"	SAE 6000 1" (BSP 3/4")	SAE 3000 2"
HPW 320 /75-125	BSP 3/4"	BSP 3/4"	-	BSP 1/2"	BSP 1 1/4"
HPW 360 /220-360	SAE 6000 1 1/4"	SAE 6000 1 1/4"	BSP 1/8"	SAE 6000 1" (BSP 3/4")	SAE 3000 2"
HPW 420 /20-50	BSP 1/2"	BSP 1/2"	-	BSP 3/8"	BSP 3/4"
HPW 460 /50-115	BSP 3/4"	BSP 3/4"	BSP 1/8"	BSP 1/2"	BSP 1"
HPW 520 /30-85	BSP 3/4"	BSP 3/4"	BSP 1/8"	BSP 3/8"	BSP 3/4"
HPW 800 /30-140	BSP 3/4"	BSP 3/4"	BSP 1/8"	BSP 3/8"	BSP 3/4"
HPW 1000 /30-140	BSP 3/4"	BSP 3/4"	BSP 1/8"	MP 9/16"	BSP 3/4"
HPW 1200 /100-440	SAE 6000 1 1/4"	SAE 6000 1 1/4"	BSP 1/8"	MP 3/4"	SAE 3000 2"
HPW 1600 /15-140	BSP 3/4"	BSP 3/4"	BSP 1/8"	HP 1/4"	BSP 1/2"



# HIGH PRESSURE WATER PUMPS

## DATA SHEET



Menotie 3  
FI-33470 Ylöjärvi, Finland  
tel: +358 3 3488 200  
info@dynaset.com



#### ELECTRICITY

HG Hydraulic Generator  
HGV POWER BOX Variable Hydraulic Generator System  
HGV Variable Hydraulic Generator System  
HWG Hydraulic Welding Generator  
HGG Hydraulic Ground Power Generator



#### HIGH PRESSURE WATER

HPW Hydraulic High Pressure Water Pump  
HPW Hydraulic Power Washer  
KPL High Pressure Street Washing Unit  
HPW-DUST High Pressure Dust Suppression System  
PPL High Pressure Pipe Cleaning Unit  
HPW-FIRE High Pressure Firefighting System  
FP Fire Fighting Piercing Kit  
HDF Hydraulic Drilling Fluid Pump  
JPL High Pressure Bin Washing System  
HSP Hydraulic Submersible Pump



#### COMPRESSED AIR

HK Hydraulic Piston Compressor  
HKL Hydraulic Rotary Vane Compressor  
HKR Hydraulic Screw Compressor



#### MAGNET POWER

HMG PRO Hydraulic Magnet Generator  
MAG Lift Magnet  
HMAG PRO Hydraulic Magnet



#### VIBRATION

HVB Hydraulic Vibra  
HVD Hydraulic Directional Vibra  
HRC Hydraulic Reversal Cylinder



#### POWER BOOSTING

HPI Hydraulic Pressure Intensifier  
HPI-C Hydraulic Pressure Intensifier for Cylinder



#### KNOW-HOW

Hydraulic Power Take-off (PTO)  
Hydraulic Power Unit Technology  
De-Icing Technology  
Installation Valves  
HHK Hydraulic Grinder  
HV/HVY Hydraulic Winch / Winch Unit

[www.dynaset.com](http://www.dynaset.com)

